

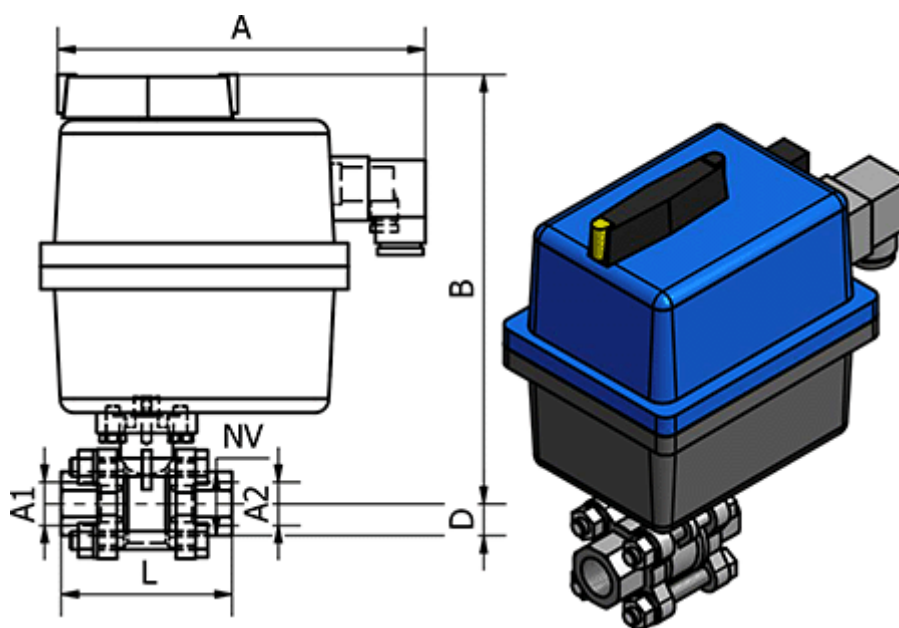
Data Sheet



Article number: 5863503815

Description: Ball Valve 350.3815, G 2" - G 2"
Thread/Thread

Measures



= -	Connecting A2	= G 2"
= -	D	= 50
= -	L	= 120
= -	Max. Operating Pressure	= 25 bar
= -	NV	= 74

A = 177

B = 241

Connecting A1 = G 2"